

Installation Guide



Feather Flag - Blade - Water Fillable Base

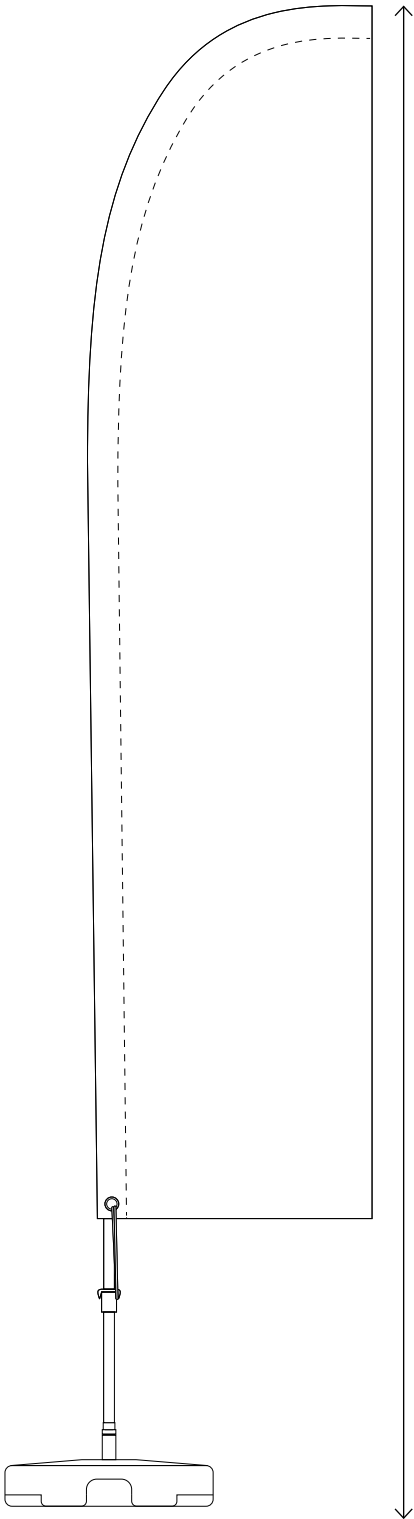
15kg Water Fillable Base 2.5m (Small) - 3.1m (Medium) - 4.1m (Large)

25kg Water Fillable Base 2.5m (Small) - 3.1m (Medium) - 4.1m (Large)

Feather Flag - Blade - Water Fillable Base

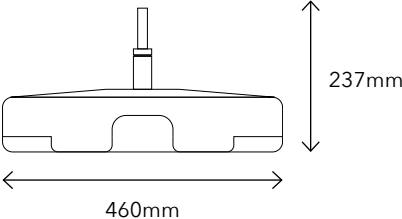
Feather Flag Dimensions

Profile View

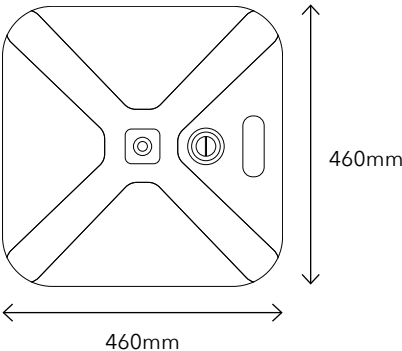


15kg Water Fillable Base Dimensions

Profile View



Plan View



Visible Height:

- Small (2.5m Double sided flag)
- Medium (3.1m Double sided flag)
- Large (4.1m Single sided flag)
- X Large (4.1m) N/A

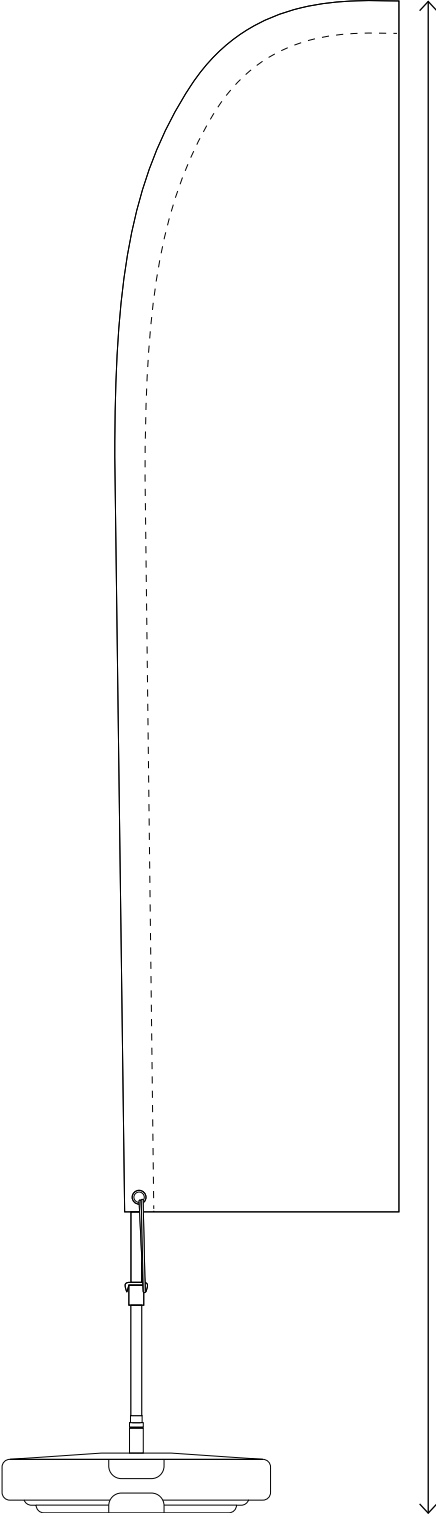
Water Fillable Base Weight:
15kg

Please note: Maximum wind speed 15-18mph.

Feather Flag - Blade - Water Fillable Base

Feather Flag Dimensions

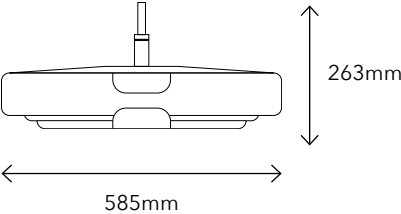
Profile View



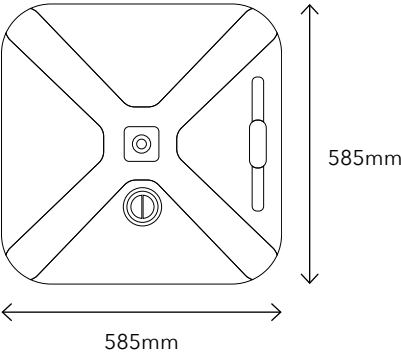
Water Fillable Base Weight:
25kg

25kg Water Fillable Base Dimensions

Profile View



Plan View



Visible Height:

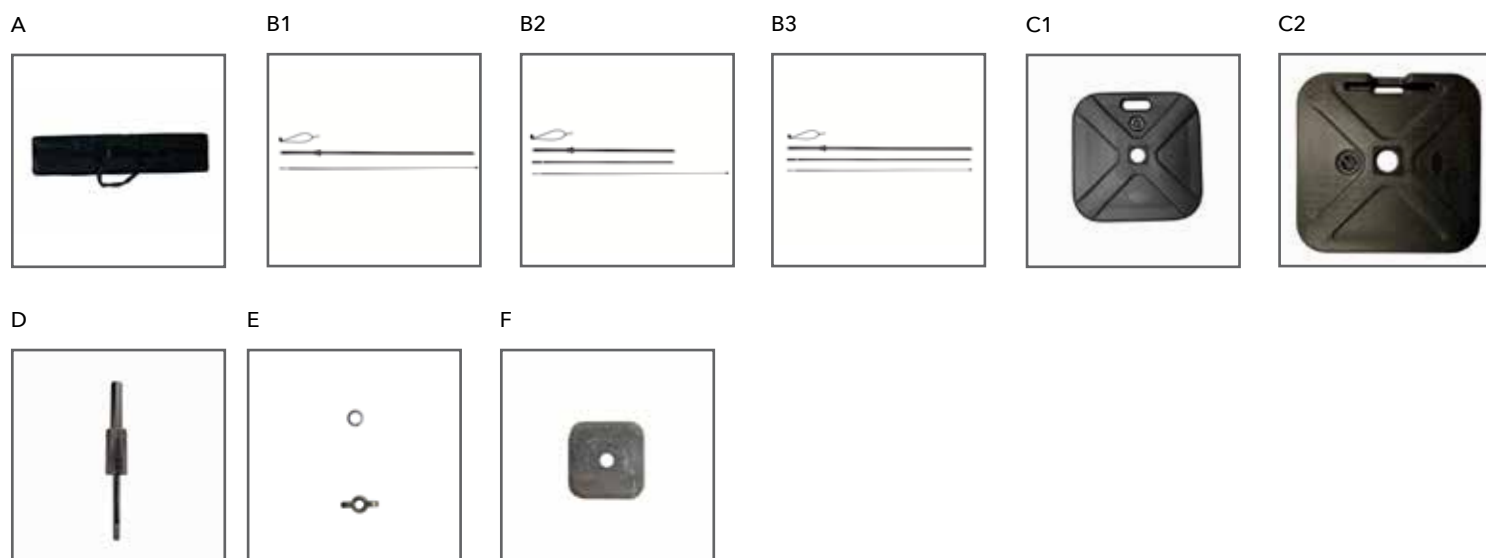
- Small (2.5m Double sided flag)
- Medium (3.1m Double sided flag)
- Large (4.1m Double sided flag)
- X Large (5.2m) **N.B SINGLE SIDED FLAG ONLY**

Please note: Maximum wind speed 15-18mph.

Feather Flag - Blade - Water Fillable Base

Parts Checklist

- A 1 x Pole Kit Carry Bag (S, M or L)
- B1 1 x Pole Kit & Bungee (S)
- B2 1 x Pole Kit & Bungee (M)
- B3 1 x Pole Kit & Bungee (L)
- C1 1 x Water Fillable Base 15kg
- C2 1 x Water Fillable Base 25kg
- D 1 x Spigot
- E 1 x Locking Washer & Wingnut
- F 2 x Square Washer



Step 1

Place the square washer into the square recess on top of the 15kg or 25kg base. Insert the spigot. Turn the base over and place the second square washer over the spigot thread. Add the locking washer and secure using the wingnut.



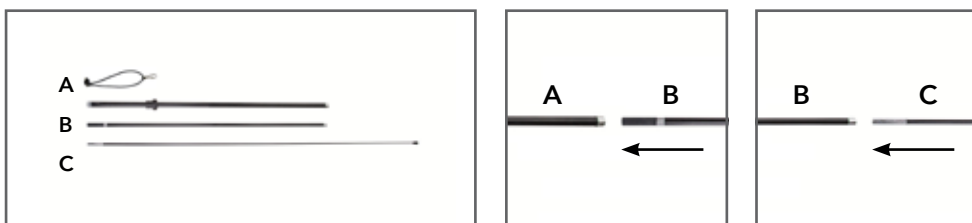
Step 2

Remove screw plug and fill base with water to complete water base. The 25kg base is equipped with wheels opposite the handle, to allow easy transportation between areas.



Step 3

Assemble the pole in size order, large to small. This example shows assembly for the medium pole. Insert pole B into pole A and pole C into pole B.



Feather Flag - Blade - Water Fillable Base

Step 4

Thread the flag onto the pole ensuring that the pole is fully inserted into the strengthened end of the sleeve, take care not to damage the sleeve.



Step 5

Thread the bungee through the eyelet on the base of the flag. Create a loop and thread the rest of the bungee cord through. Attach the bungee cord to the plastic retaining collar and adjust the tension if necessary (to avoid rippling, do not over tension the flag)



Step 6

Place the assembled pole onto the revolving spigot.

